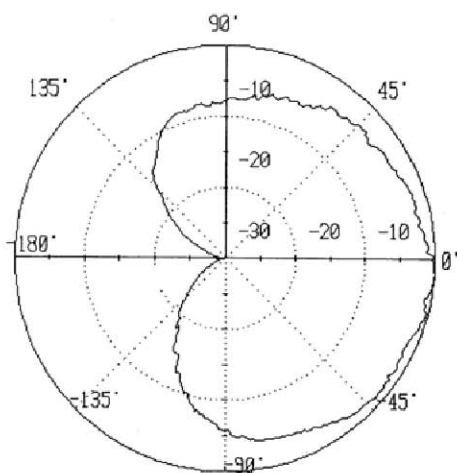


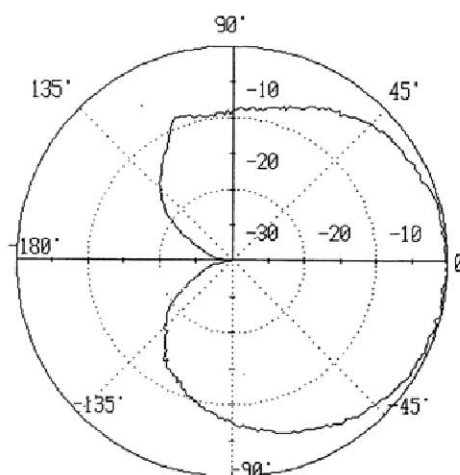
GPS/GLONSS Aviation Antenna

P/N: OMCGPS-GN-AV

Patterns



F=1.575GHz



F=1.602GHz

Technical Specifications

Frequency	GPS L1	1575.42MHz ± 5MHz
	GNSS	1602.00MHz ± 8MHz
Pattern		Azimuth: Omni Directional Elevation: Hemispherical
LNA Gain	GPS L1	35±2dB
	GNSS	35±2dB
Polarization		Right-hand circular
Noise Figure		<2.0dB
Output Impedance		50Ω
VSWR		<1.5:1
Power Supply		5±0.5V DC
Connector Type		TNC (customized connector type available)
Size		120mm×78mm×36mm
Operating Temperature		-40°C ~ +85°C
Storage Temperature		-55°C ~ +85°C